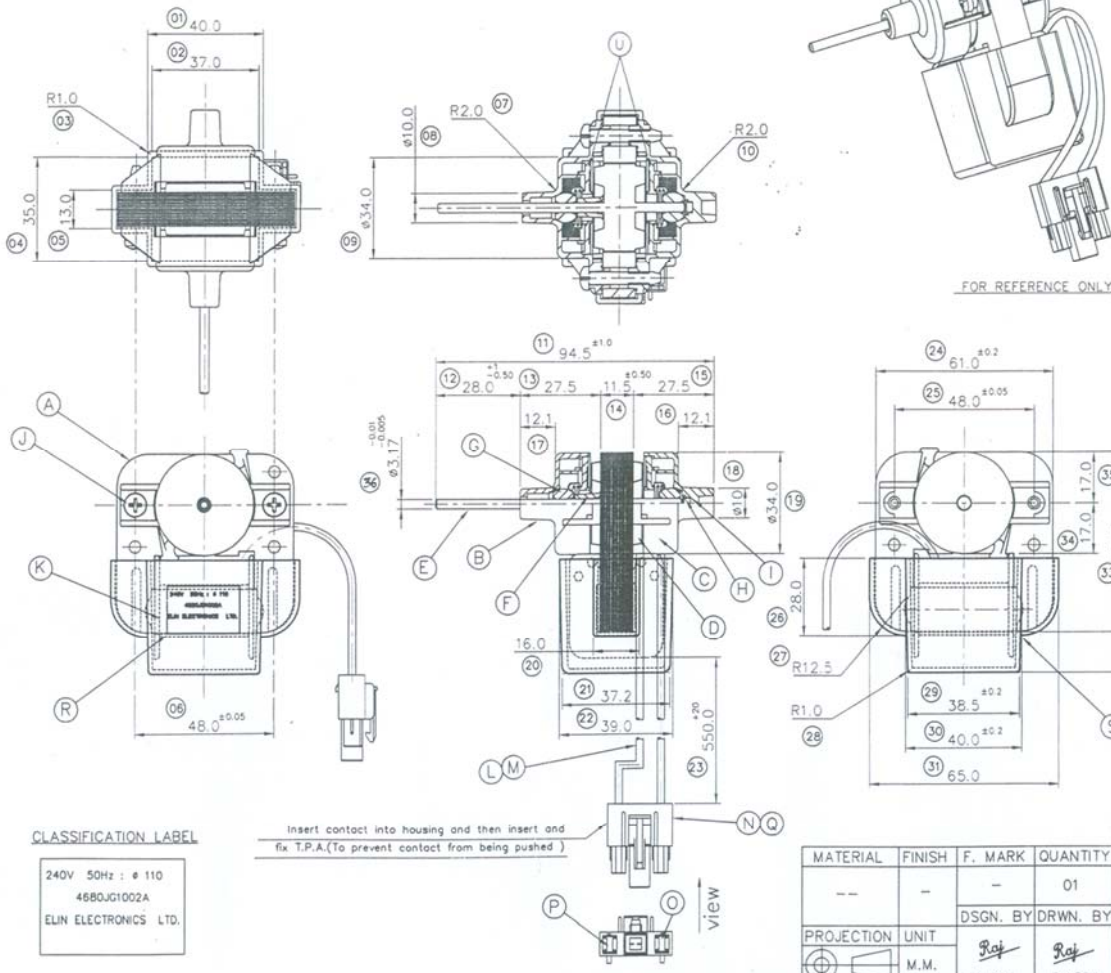


DESC. OF CHANGE | DATE | REV.

TOLERANCES					
Div.	CLASS	A	B	C	D
0-5		±0.07	±0.10	±0.15	±0.20
5-20		±0.10	±0.15	±0.20	±0.30
20-50		±0.15	±0.20	±0.30	±0.4
50-100		±0.20	±0.30	±0.4	±0.6
>100		±0.30	±0.4	±0.6	±1.0
ANGLE		± 20'	± 40'	± 30'	3°



FOR REFERENCE ONLY

S.No.	DESCRIPTION	MATERIAL
A	STATOR ASSY.	CRNGO
B	BEARING HOLDER-A	PBT-(FR-Vo GRADE)
C	BEARING HOLDER-B	PBT-(FR-Vo GRADE)
D	ROTOR ASSY.	-
E	SHAFT	SUS 420J2
F	OIL CUTTER	NYLON-6
G	SINTERED BUSH	SINTERED BRONZE
H	THRUST SEAT	POLYSLIDE
I	CUSHION SHEET	RUBBER-CR
J	T/T SCREW	MS M4X25
K	BOBBIN ASSY	NYLON 66 (FR GRADE)
L	LEAD WIRE	0.18X20=0.505mm ² (95°C)
M	LEAD WIRE	UL AWM1015 AWG18
N	CONNECTOR COVER	-
O	TERMINAL- A	-
P	TERMINAL- B	-
Q	CONNECTOR CAP	NYLON 6
R	LABEL- N	-
S	BOBBIN COVER	P.P (FR GRADE)
T	EPOXY RESIN	DOBEFIL60 WITH HARDNER 40B * OR EQUIVALENT
U	BEARING HOLDER COVER	PBT-(FR-Vo GRADE)

CLASSIFICATION LABEL
 240V 50Hz : # 110
 4680JG1002A
 ELIN ELECTRONICS LTD.

Insert contact into housing and then insert and fix T.P.A. (To prevent contact from being pushed)

MATERIAL	FINISH	F. MARK	QUANTITY	SCALE	TOLERANCE	PRODUCT
--	-	-	01	N.T.S.	A	FAN BLOWER MOTOR (PLASTIC TYPE)
						DESCRIPTION
						MOTOR ASSEMBLY
						COMP. NO.
						FBM-001

ELIN ELECTRONICS LIMITED GHAZIABAD (U.P.)