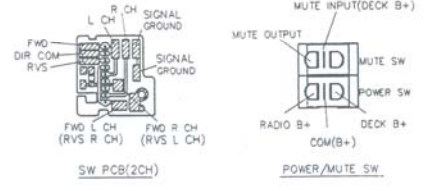
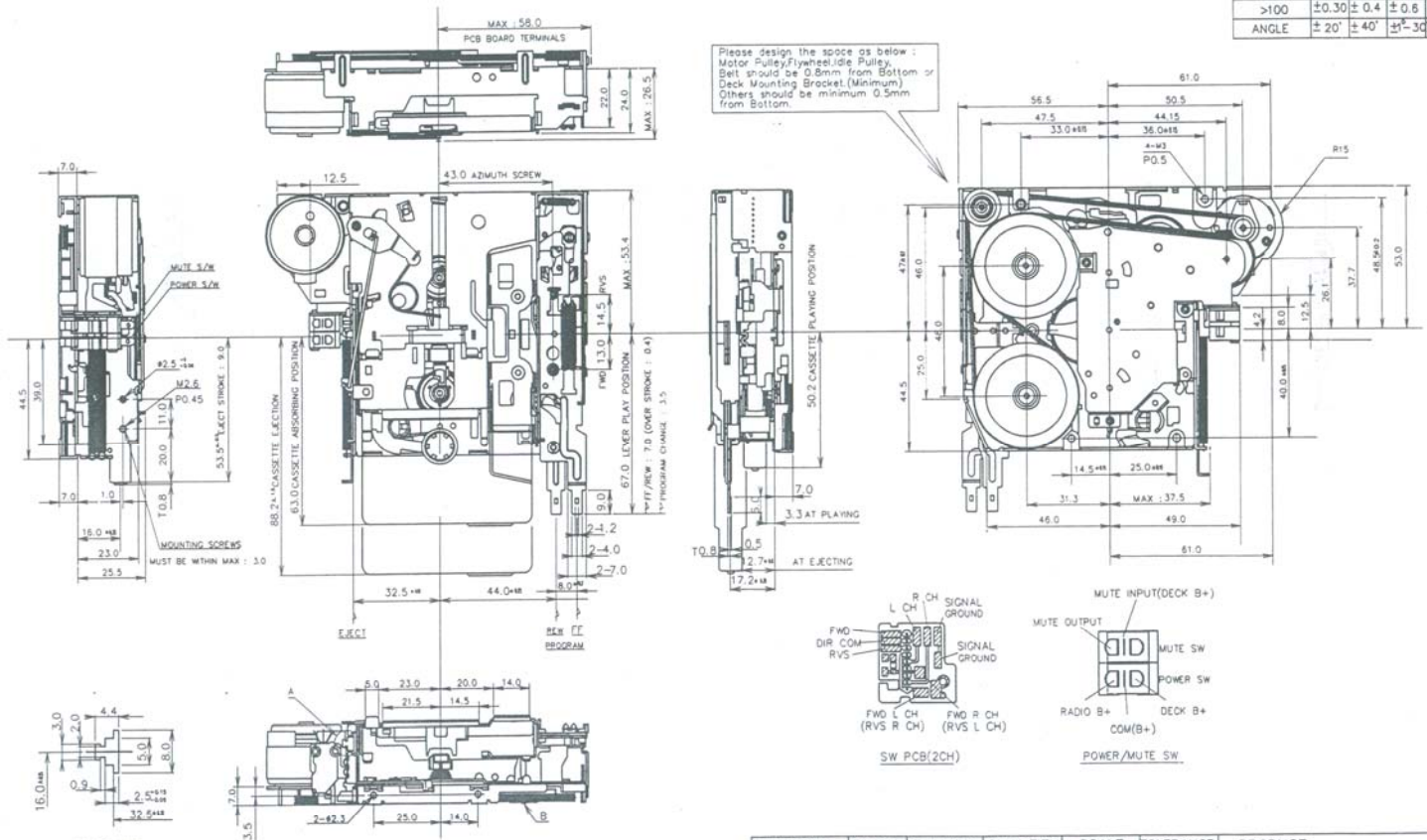


DESC. OF CHANGE DATE REV.

TOLERANCES					
DIV.	CLASS	A	B	C	D
0-5		±0.07	±0.10	±0.15	±0.20
5-20		±0.10	±0.15	±0.20	±0.30
20-50		±0.15	±0.20	±0.30	±0.4
50-100		±0.20	±0.30	±0.4	±0.6
>100		±0.30	±0.4	±0.6	±1.0
ANGLE		± 20'	± 40'	± 30'	3'



"A" DRAWING

"B" POINT

FLYWHEEL ESCAPE HOLE IS NECESSARY ON THIS PART SINCE IT IS PROTECTED FROM THE BOARD SURFACE -# 12

MATERIAL	FINISH	F. MARK	QUANTITY	SCALE	TOLERANCE	PRODUCT
-	-	-	1	NTS	A	EN-36
DSGN. BY <i>S. Kumbhar</i> 17/08/03 DRWN. BY <i>A. Pandey</i> 17/08/03 CHKD. BY <i>[Signature]</i> 17/08/03 APPD. BY <i>[Signature]</i> 18/08/03						DESCRIPTION
PROJECTION UNIT						MOUNTING DRAWING
COMP. NO.						-

FIJI ELECTRONICS LIMITED GHAZIABAD (U.P.)