



CHANDRA ENGINEERS AND TRADING

[AUTHORIZED CHANNEL PARTNER (PAN INDIA) OF NINGBO **GOANWIN** POWER PRESSES]

[ADDRESS: 595, SUMANGLAM BUILDING, RDC, RAJ NAGAR, GHAZIABAD, UTTAR PRADESH - 201002 (INDIA)]

[CONTACT DETAILS: +91-98718 18822 / 70118 34322, E-MAIL ID'S: SALESCET01@GMAIL.COM]

QUOTATION

Kind Attn: Mr. A.S. Rana

Date: 12 / 11 / 2022

*M/s. Elin Electronics Limited
C-142-143-144, C-144/1, C-144/2,
B.S. Road, Industrial Area, Site No.1,
Ghaziabad - 201009, UP
[Mobile: 9810035619]
[E-mail: asrana@elinindia.com]*

Dear Sir,

We thank you for your enquiry of “New High Speed Power Press Machine”.

We are pleased to submit hereunder our offer of “GPH – 125 Ton & GPH - 220 Ton with Coil Feeding Line” for your consideration.

FUNCTIONAL & FEATURES (MECHANICAL CHARACTERISTICS)

A) FRAME

- ✚ Manufactured from high tensile FCD cast steel, stress relieved for maximum rigidity and long term accuracy.
- ✚ The frame structure is designed by means of “Computerized Finite Elements Analysis”, it provides optimum design for frame strength and strain.
- ✚ The frame is tightened by tie – rods, incorporating with hydraulic preload on structure for giving added rigidity.
- ✚ Lathe bed high strength cast iron, high precision gantry structure of an organic whole, to prevent the load time of the opening question, realized the high precision products processing.
- ✚ Biaxial center guide, four guide pin length orientation all the way, so even eccentric load can keep excellent precision stamping, extend the life of the punch.
- ✚ The forced lubrication and oil cooling machine oil supply system to minimize the thermal deformation, high precision products processing can be performed.
- ✚ Excellent dynamic balance device to reduce vibration make the punch with the best accuracy and stability.



CHANDRA ENGINEERS AND TRADING

[AUTHORIZED CHANNEL PARTNER (PAN INDIA) OF NINGBO **GOANWIN** POWER PRESSES]

[ADDRESS: 595, SUMANGLAM BUILDING, RDC, RAJ NAGAR, GHAZIABAD, UTTAR PRADESH - 201002 (INDIA)]

[CONTACT DETAILS: +91-98718 18822 / 70118 34322, E-MAIL ID'S: SALESCET01@GMAIL.COM]

B) **MINIMUM VIBRATION. IMPRESSIVE REDUCTIONS ON NOISE**

- ✚ Outstanding dynamic balancing design may reduce vibration and noise to a minimum while extending the die life.

C) **PRECISION MAIN SHAFT**

- ✚ Manufactured from Nickel Chrome Molybdenum alloy steel, hardened and precision ground.

D) **HIGH ACCURACY & HIGH STABILITY**

- ✚ Sensitive separated type clutch and brake assure high positioning accuracy and maximum safety guard.
- ✚ Plunger guides & slide guides utilize clearance free axial bearings.
- ✚ Preloaded tie – rods employed on slide guide for high rigidity, incorporating with extended guide for high dynamic and static accuracy, service life of punch dies can be greatly upgraded.
- ✚ This machine employs a forced lubrication system, providing an effective reduction of thermal deformation of the machine frame. In addition, it also ensures part stamping quality and extends the machine's life. The lubrication system also has a pressure detection function.



CHANDRA ENGINEERS AND TRADING

[AUTHORIZED CHANNEL PARTNER (PAN INDIA) OF NINGBO **GOANWIN** PRECISION PRESSES POWER PRESSES]

[ADDRESS: 595, SUMANGLAM BUILDING, RDC, RAJ NAGAR, GHAZIABAD, UTTAR PRADESH - 201002 (INDIA)]

[CONTACT DETAILS: +91-98718 18822 / 70118 34322, E-MAIL ID'S: SALESCET01@GMAIL.COM]

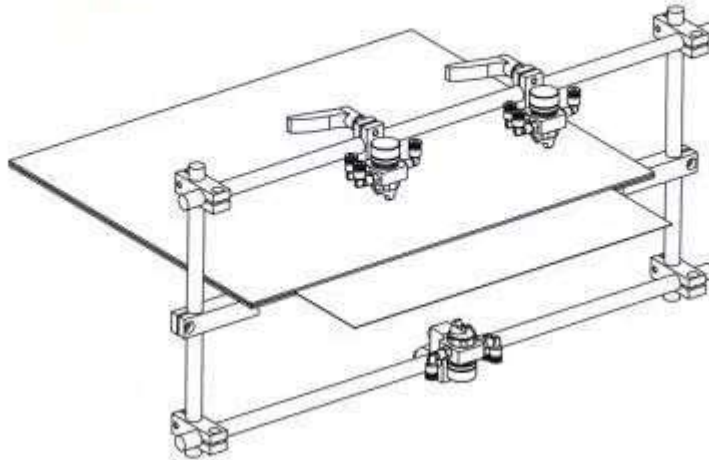
MACHINE PHOTO (REFERENCE)



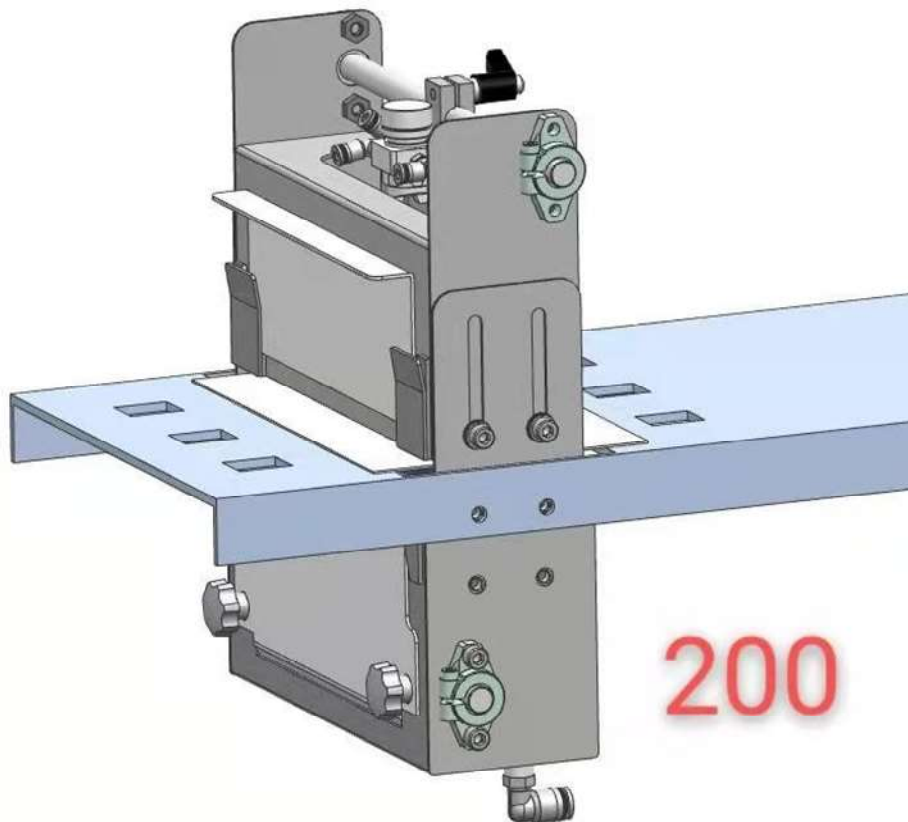


四、安装调试说明

1. 喷嘴支架的安装



注：在冲床滑块处于下死点时，不可碰到上喷嘴、管路、支架等





CHANDRA ENGINEERS AND TRADING

[AUTHORIZED CHANNEL PARTNER (PAN INDIA) OF NINGBO **GOANWIN** PRECISION PRESSES POWER PRESSES]

[ADDRESS: 595, SUMANGLAM BUILDING, RDC, RAJ NAGAR, GHAZIABAD, UTTAR PRADESH - 201002 (INDIA)]

[CONTACT DETAILS: +91-98718 18822 / 70118 34322, E-MAIL ID'S: SALESCET01@GMAIL.COM]

HI-SPEED FEEDER

高速送料機



DOUBLE HEAD UNCOILER

雙頭油壓開卷機



LEVELER'S LOOP CONTROL

整平送料機



CHANDRA ENGINEERS AND TRADING

[AUTHORIZED CHANNEL PARTNER (PAN INDIA) OF NINGBO **GOANWIN** PRECISION PRESSES POWER PRESSES]

[ADDRESS: 595, SUMANGLAM BUILDING, RDC, RAJ NAGAR, GHAZIABAD, UTTAR PRADESH - 201002 (INDIA)]

[CONTACT DETAILS: +91-98718 18822 / 70118 34322, E-MAIL ID'S: SALESCET01@GMAIL.COM]

TECHNICAL SPECIFICATIONS

H – Frame High Speed Press

<u>Machine Model</u>	<u>GPH-125</u>
Nominal Press Capacity (KN)	1250
Rated Tonnage Point (mm)	3.2
Stroke Length (mm)	30
Stroke Per Minute (S.P.M)	100 ~ 600
Die Height (mm)	360 ~ 410
Slide Adjustment (mm)	50
Slide Area (LR x FB) (mm)	1300 x 600
Bolster Area (LR x FB) (mm)	1300 x 850
Opening on Bed	1000 x 200
Linear Height (mm)	195 ± 15
Main Motor (KW x P)	37
Machine Weight (KGS)	27000

Hi –Speed Feeder (Model :- GPF – 200)

Thickness of Material (mm)	0.20 ~ 1.0
Width of Material (mm)	200
Feed Length (mm)	7 ~ 550
Index numbers	4/12
Feed Angle	180%
Feed Direction	Left to Right

Double Head Uncoiler (Model :- GPU – 200)

Max. Material Width (mm)	200
Max. Coil O.D. (mm)	1200
Coil I.D. (mm)	508
Variation Range (Min. / Max.) (mm)	450 ~ 530
Max. Coil Weight	1000 x 2

Leveller “S” Loop Control (Model :- GPS – 200)

Driving Motor (kw)	2.0
Material Thickness (mm)	0.20 ~ 1.0
Max. Material (mm)	200
Feed Speed Of Leveller (m/min.)	60



CHANDRA ENGINEERS AND TRADING

[AUTHORIZED CHANNEL PARTNER (PAN INDIA) OF NINGBO **GOANWIN** PRECISION PRESSES POWER PRESSES]

[ADDRESS: 595, SUMANGLAM BUILDING, RDC, RAJ NAGAR, GHAZIABAD, UTTAR PRADESH - 201002 (INDIA)]

[CONTACT DETAILS: +91-98718 18822 / 70118 34322, E-MAIL ID'S: SALESCET01@GMAIL.COM]

TECHNICAL SPECIFICATIONS

H – Frame High Speed Press

<u>Machine Model</u>	<u>GPH-220</u>
Nominal Press Capacity (KN)	2200
Rated Tonnage Point (mm)	3.2
Stroke Length (mm)	30
Stroke Per Minute (S.P.M)	150 ~ 350
Die Height (mm)	370 ~ 420
Slide Adjustment (mm)	50
Slide Area (LR x FB) (mm)	1800 x 700
Bolster Area (LR x FB) (mm)	1800 x 950
Opening on Bed	1300 x 250
Linear Height (mm)	200 ± 15
Main Motor (KW x P)	45
Machine Weight (KGS)	33000

Hi –Speed Feeder (Model :- GPF – 300)

Thickness of Material (mm)	0.20 ~ 1.0
Width of Material (mm)	300
Feed Length (mm)	7 ~ 550
Index numbers	4/12
Feed Angle	180%
Feed Direction	Left to Right

Double Head Uncoiler (Model :- GPU – 400)

Max. Material Width (mm)	400
Max. Coil O.D. (mm)	1200
Coil I.D. (mm)	508
Variation Range (Min. / Max.) (mm)	450 ~ 530
Max. Coil Weight	2000 x 2

Leveller “S” Loop Control (Model :- GPS – 300)

Driving Motor (kw)	2.0
Material Thickness (mm)	0.20 ~ 1.0
Max. Material (mm)	300
Feed Speed Of Leveller (m/min.)	60



CHANDRA ENGINEERS AND TRADING

[AUTHORIZED CHANNEL PARTNER (PAN INDIA) OF NINGBO **GOANWIN** PRECISION PRESSES POWER PRESSES]

[ADDRESS: 595, SUMANGLAM BUILDING, RDC, RAJ NAGAR, GHAZIABAD, UTTAR PRADESH - 201002 (INDIA)]

[CONTACT DETAILS: +91-98718 18822 / 70118 34322, E-MAIL ID'S: SALESCET01@GMAIL.COM]

This quotation is include standard accessories

Standard Accessories

- Electric Die Height Adjustment Device
- Micro Inching Function
- Digital Die Height indicator (0.01mm)
- A/B/C Control For Auto – Stacking
- 2 Sets of Miss – Feed Detecting Receptacle
- Stroke Stop Setting 0° & 90° in Continuous Operation
- Two Way Rotation Main Motor Control
- Hydraulic Clamping Unit For Die Height Adjusting Equipment
- Lubricant Cooling Machine
- Separated Clutch & Brake
- Independent Electric Control Box
- Work Light
- Tool & Tool Box
- Hydraulic Die Lifter
- Die Arms *2
- Anti – Vibration Mounts *4
- Gear Feeder 200 mm & 300 mm Width
- Double – Head Uncoiler 200 mm & 400 mm Width
- S – Type Leveler



CHANDRA ENGINEERS AND TRADING

[AUTHORIZED CHANNEL PARTNER (PAN INDIA) OF NINGBO **GOANWIN** PRECISION PRESSES POWER PRESSES]

[ADDRESS: 595, SUMANGLAM BUILDING, RDC, RAJ NAGAR, GHAZIABAD, UTTAR PRADESH - 201002 (INDIA)]

[CONTACT DETAILS: +91-98718 18822 / 70118 34322, E-MAIL ID'S: SALESCET01@GMAIL.COM]

INVESTMENT

(UNIT PRICE INFORMATION: USD / FOB NINGBO (CHINA))

<u>S. No.</u>	<u>Model</u>	<u>Qty</u>	<u>Total Price in USD</u>
1	GPH – 125 Ton (H - Frame High Speed Press) With coil feeding Line 200 mm sheet width	03 Set	\$420,000.00
2	GPH – 220 Ton (H - Frame High Speed Press) With coil feeding Line 300 mm sheet width	02 Set	\$376,000.00

TERMS & CONDITIONS

Payment	1) 30 % advance payment along with PO & PI. 2) 70% the remaining of the total contract value paid off before shipment.
Delivery	120 days from the date of all approved documents with advance receipt (ready for inspection at Ningbo). (Note : Any festival holidays or natural disaster not to be accountable in the delivery dates).
Freight Charges	FOB NINGBO (CHINA)
Insurance	@ Extra cost
Taxes	At actual on Goods & Services
Package	To be packed in export standard
Validity of Offer	Six months from the offer date
Warranty	a) 12 months after installation and commissioning at Buyer's site. b) This guarantee excludes any parts that require normal maintenance. The guarantee is strictly limited to the repairing and the replacing of the mechanical parts supplied



CHANDRA ENGINEERS AND TRADING

[AUTHORIZED CHANNEL PARTNER (PAN INDIA) OF NINGBO **GOANWIN** PRECISION PRESSES POWER PRESSES]

[ADDRESS: 595, SUMANGLAM BUILDING, RDC, RAJ NAGAR, GHAZIABAD, UTTAR PRADESH - 201002 (INDIA)]

[CONTACT DETAILS: +91-98718 18822 / 70118 34322, E-MAIL ID'S: SALESCET01@GMAIL.COM]

	<p>by the Seller found to be defective provided that failure has occurred during the ordinary use of the equipment and it is not accepted and claim due to damage to people, property or loss of production. Shipment charges are not included.</p> <p>c) Under warranty parts to be despatch within 3 - 6 workings days by TNT.</p>
Order in Favour	NINGBO GOANWIN MACHINERY MANUFACTURING CO., LTD
Address	NO. 318, GUANGMING ROAD, GUANGMING INDUSTRIAL ZONE, ZHENHAI DISTRICT, NINGBO, CHINA
Remarks	<p>a) Above price is based on FOB NINGBO (CHINA).</p> <p>b) The entire above price is included charge for commissioning and installation.</p> <p>c) It is the Buyer's responsibility to arrange To & Fro, Accommodation, Local Transport & Fooding etc at their own cost for Goanwin or Indian Representative Engineers & Technician.</p> <p>d) The seller will supply the packing list, invoice and CO and the operation manual, electrical scheme, the drawings of the easily damaged parts as well as the safe operation specification.</p> <p>e) Delivery will be effective from the date of Purchase Order alongwith Advance payment.</p> <p>f) Delivery period as indicated in the quotation will commence from the date of the Buyer's order, all clarifications and advance payment if any. Unless mentioned in the offer or agreed in writing by the seller the delivery period will 120 days (ready for inspection).</p> <p>g) Prices do not include packaging, freight and insurance charges, goods will be invoiced at prices ruling at the time of delivery.</p> <p>h) All excise duties, sales tax and any other tax levy or duty including increase therein and any new taxes, levies or duties imposed by the state on central government or any local or municipal authorities as may be applicable on the date of delivery shall be paid by the buyer.</p> <p>i) Seller shall not be responsible for any loss due to downtime or any consequential damages against buyer.</p> <p>j) Seller shall not guarantee for consumable parts and defect or deficiency resulting from the modifications by buyer.</p>
Buyer's Scope	<p>a) Any kind of Grease / Lubrication oil, Regulated / Servo Three Phase Power Supply with double earthing, Pneumatic supply near to the machine, Any foundation / Mason work, Tools, Operator, Raw material for trials, Heavy Equipments for Loading & Unloading , Crane , Hydra, Fork Lift, Lifting Belts / Chains, Cleaning Cloth, Unskilled labours, Any kind of heavy tools etc.</p>
Installation Support from Goanwin Indian	<p>a) Installation & commissioning charges of machine is included in the above offer.</p>



CHANDRA ENGINEERS AND TRADING

[AUTHORIZED CHANNEL PARTNER (PAN INDIA) OF NINGBO **GOANWIN** PRECISION PRESSES POWER PRESSES]

[ADDRESS: 595, SUMANGLAM BUILDING, RDC, RAJ NAGAR, GHAZIABAD, UTTAR PRADESH - 201002 (INDIA)]

[CONTACT DETAILS: +91-98718 18822 / 70118 34322, E-MAIL ID'S: SALESCET01@GMAIL.COM]

Representative

- b) **3 days** are estimated to complete Installation and test running of the whole line. One Engineer's & one Technician's will be made available for such operation.
- c) To & Fro Air / Train (2 Tier AC) tickets, Accommodation, Boarding, Fooding, Local Conveyance to be arrange by buyer at their own cost to our Engineers & Technician.
- d) Due to any delay from customer end and the work will not complete as per mentioned days than the buyer will have to pay @6000 per day per engineer / technicians cost extra. The final invoicing will be done as per spend total man days at site.

We look forward to the pleasure of receiving your valued order, we keep in contact for everything that you need.

Please do contact us if you need any clarifications.

**Best regards,
Amit Garg**